

# High Frequency Portable X-ray Unit

# PORTA120 HF

for  
Veterinary  
Use



**5 kW**

## FEATURES

### Compact & Light Weight

Size: 160 mm(H) x 203 mm(W) x 350 mm(L) or 6.30 in(H) x 7.99 in(W) x 13.78 in(L)

Weight: 14.4 kg or 31.7 lbs

APR panel stores 14 parts \* 6 sizes \* 2 directions and corresponding exposure data (kV/mAs) in order to avoid and annoyance from referring these data to the radiographic chart every time.

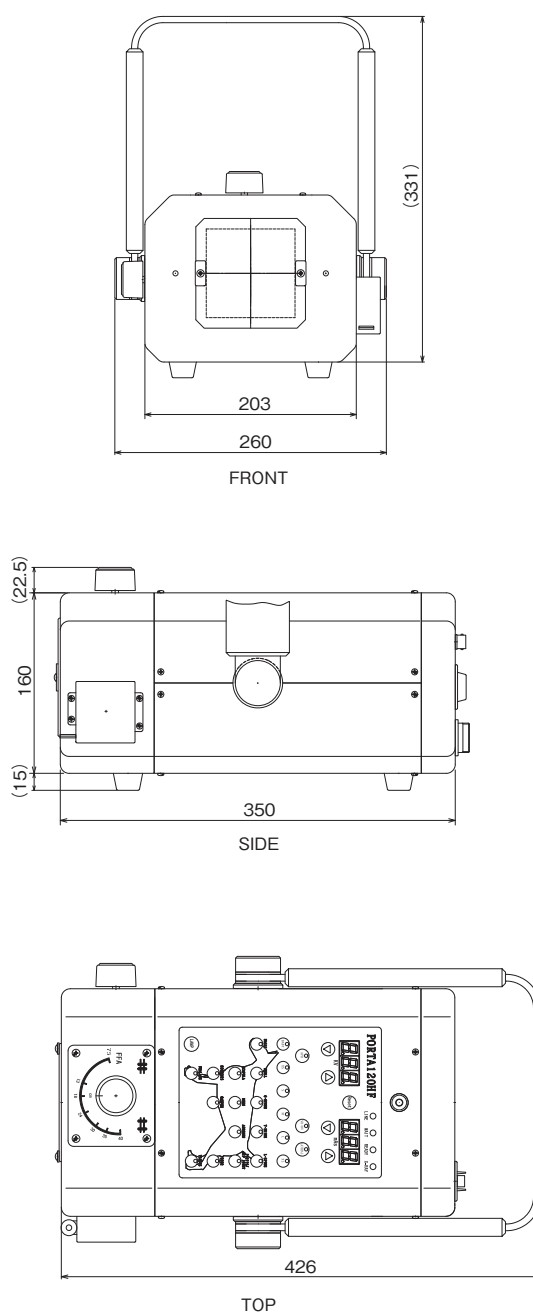
### SPECIFICATIONS

<b>Rating</b>	40-120 kV / 0.3-100 mAs (automatic current setting within 30 to 100 mA) e. g. High-voltage setting: 120 kV & 100 mAs (30 mA) Large-current setting: 50 kV & 16 mAs (100 mA)
<b>kV setting</b>	40-120 kV (in 1 kV steps)
<b>mAs selection</b>	0.3-100 mAs (26 settings) 0.3, 0.4, 0.5, 0.6, 0.8, 1.0, 1.3, 1.6, 2.0, 2.5, 3.2, 4.0, 5.0, 6.3, 8.0, 10, 13, 16, 20, 25, 32, 40, 50, 63, 80, 100
<b>Generator</b>	High frequency inverter type, 5 kW nominal output
<b>X-ray tube</b>	Focal spot:1.8 mm Anode heat storage capacity: 28 kJ (40 kHU) Target angle: 16°
<b>Total filtration</b>	2.5 mm Al eq. at 120 kV
<b>Power requirement</b>	AC 200-240 V / 40 A max
<b>Collimator</b>	A field lamp with a 30-second timer and a cross indication line. A crossing point of 2 laser beams makes it easy to confirm a center of a radiographic field and exact SID even under the sunlight.
<b>Line cable</b>	6 meters long
<b>Hand switch</b>	Two stage, deadman type with curled cable. (3 meters long at full extension) An optional foot switch is available.
<b>Optimum ambient conditions</b>	Temperature: 20 ± 15°C Humidity: 69 ± 20%

SPECIFICATION & DESIGN ARE SUBJECT TO CHANGE WITHOUT NOTICE.

### DRAWING

UNIT:mm



Made in Japan